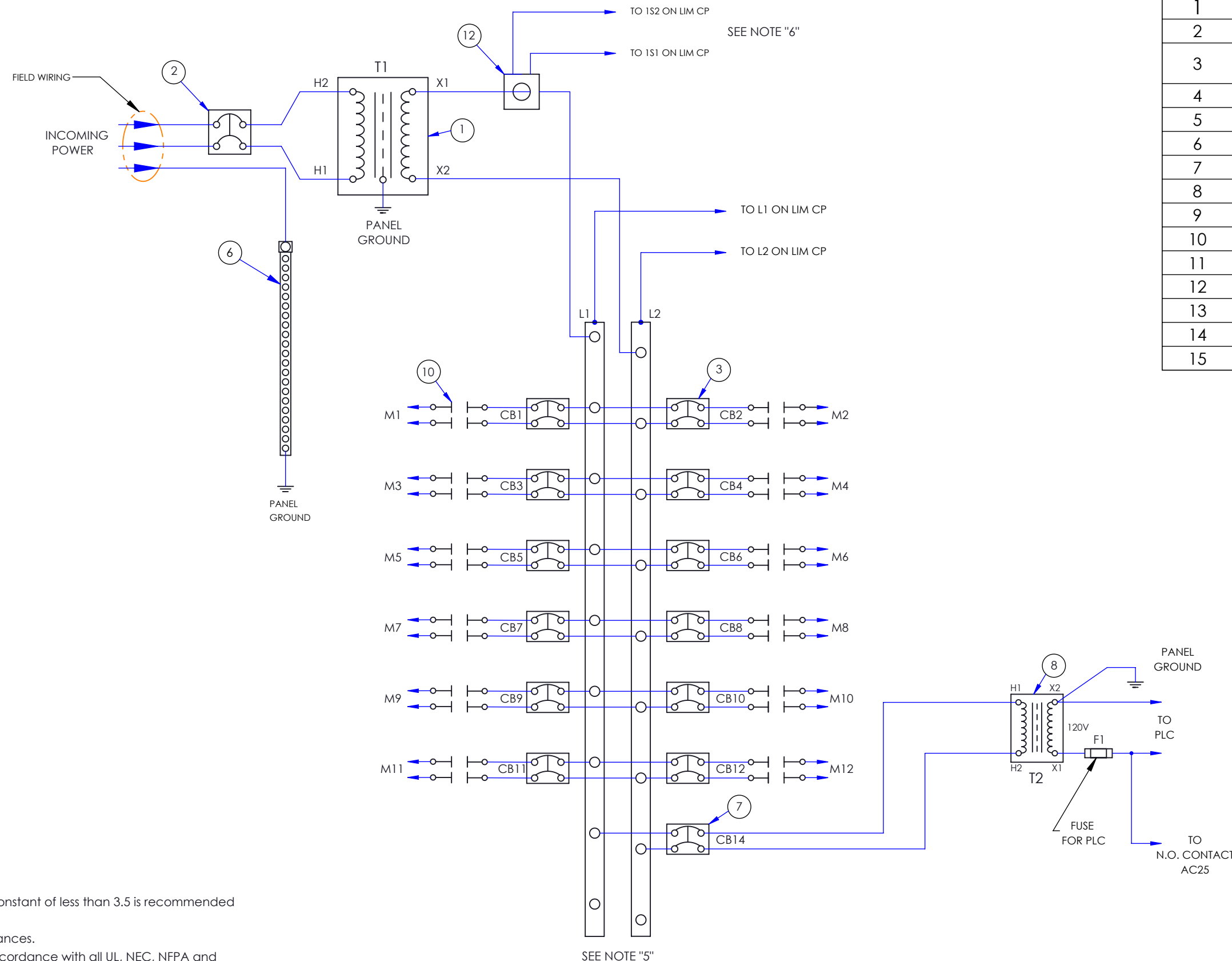


ITEM	DESCRIPTION			
	KVA	VOLTAGE		FREQ.
1		PRIMARY	SECONDARY	60
	15	208	120	
25	277	208		
		480	220	
INTERIOR ASSEMBLY				
2	PRIMARY MAIN BREAKER:			
3	BRANCH BREAKERS*			
	C1			A
	C2			A
	C3			A
	C4			A
	C5			A
	C6			A
	C7			A
	C8			A
	C9			A
	C10			A
	C11			A
C12			A	
4	PLC CIRCUIT BREAKER:			
5	PLC			
6	CIRCUIT CONTACTORS (M1-M12)			
7	CONTROL TRANSFORMER			
8	LINE ISOLATION MONITOR (LIM2010)			
9	CP-LIM2010 CONNECTOR PLATE			
10	GROUND BUS			
11	TERMINAL BLOCK TB1			
12	TRANSFORMER LOAD MONITOR: <input type="checkbox"/> YES <input type="checkbox"/> NO			
13	FRONT TRIM: T7432C			
14	BACKBOX: B723014F			


- GENERAL NOTES**
- Galvanized ROHS compliant steel box, constructed in accordance with UL50.
 - Front Trim, Type 304 SS with #4 polish finish.
 - Bolt-On chassis fastens to studs in box.
 - 4 Filler plates provided for branch breaker spaces

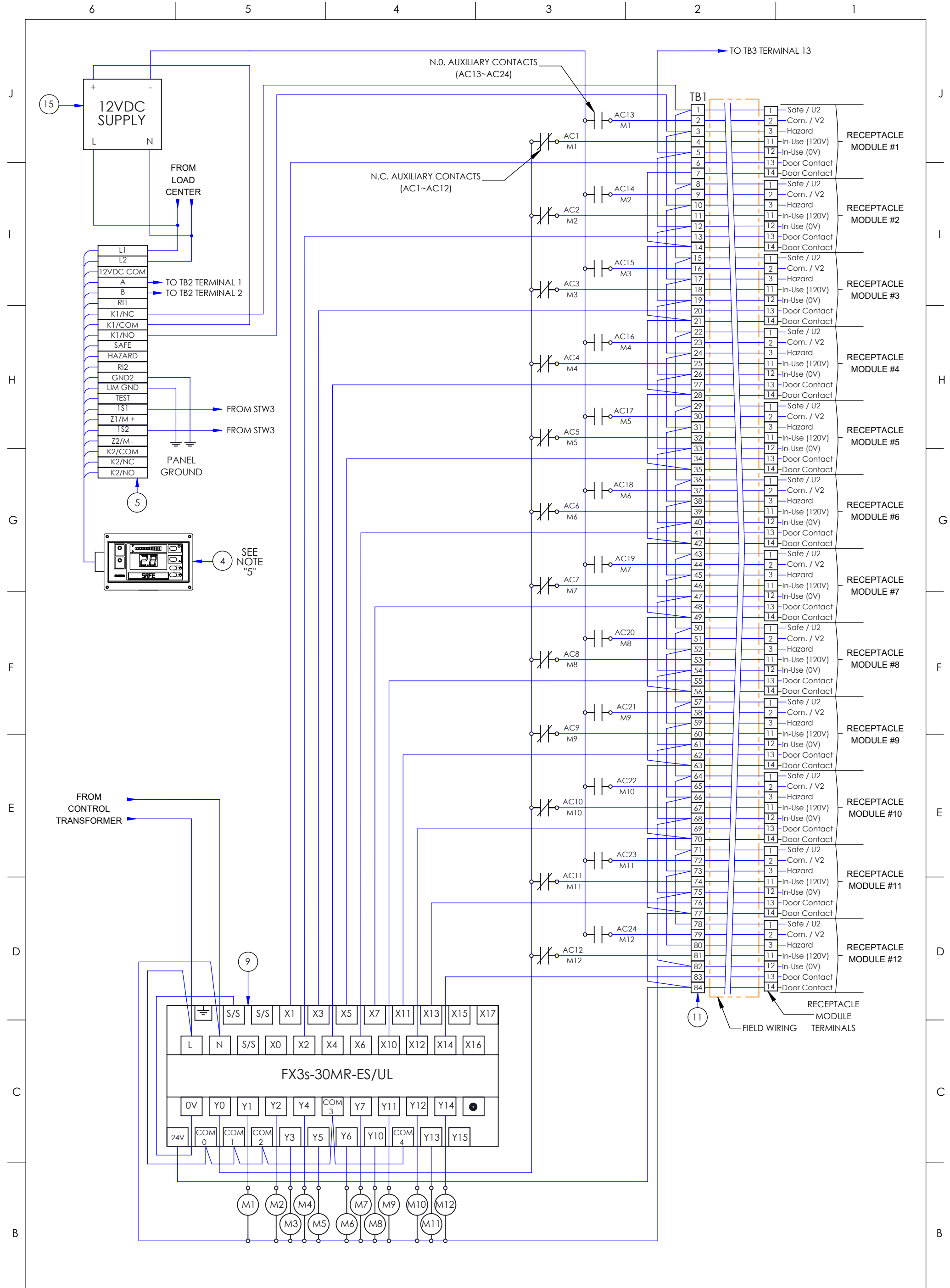
PROJECT:		TITLE:	
SALES ORDER		DWG. NO.	
QTY.			
MODEL			
ARTICLE #		REV	
DRAWN BY		 420 Eagleview Blvd. Exton, PA 19341-1116 1-800-356-4266	
APPROVED BY			
		SHEET 1 OF 1	

ITEM	DESCRIPTION
1	ISOLATION TRANSFORMER
2	PRIMARY MAIN BREAKER
3	BRANCH CIRCUIT BREAKERS (16 BREAKERS MAX, 2 POLE, 10 KAIC)
4	LINE ISOLATION MONITOR (LIM2010)
5	CP-LIM2010 CONNECTOR PLATE
6	GROUND BUS
7	PLC CIRCUIT BREAKER
8	CONTROL TRANSFORMER
9	PLC
10	CIRCUIT CONTACTORS
11	TERMINAL BLOCK (TB1)
12	LOAD MONITOR CT (STW3)
13	TERMINAL BLOCK (TB2)
14	TERMINAL BLOCK (TB3)
15	12 VDC POWER SUPPLY



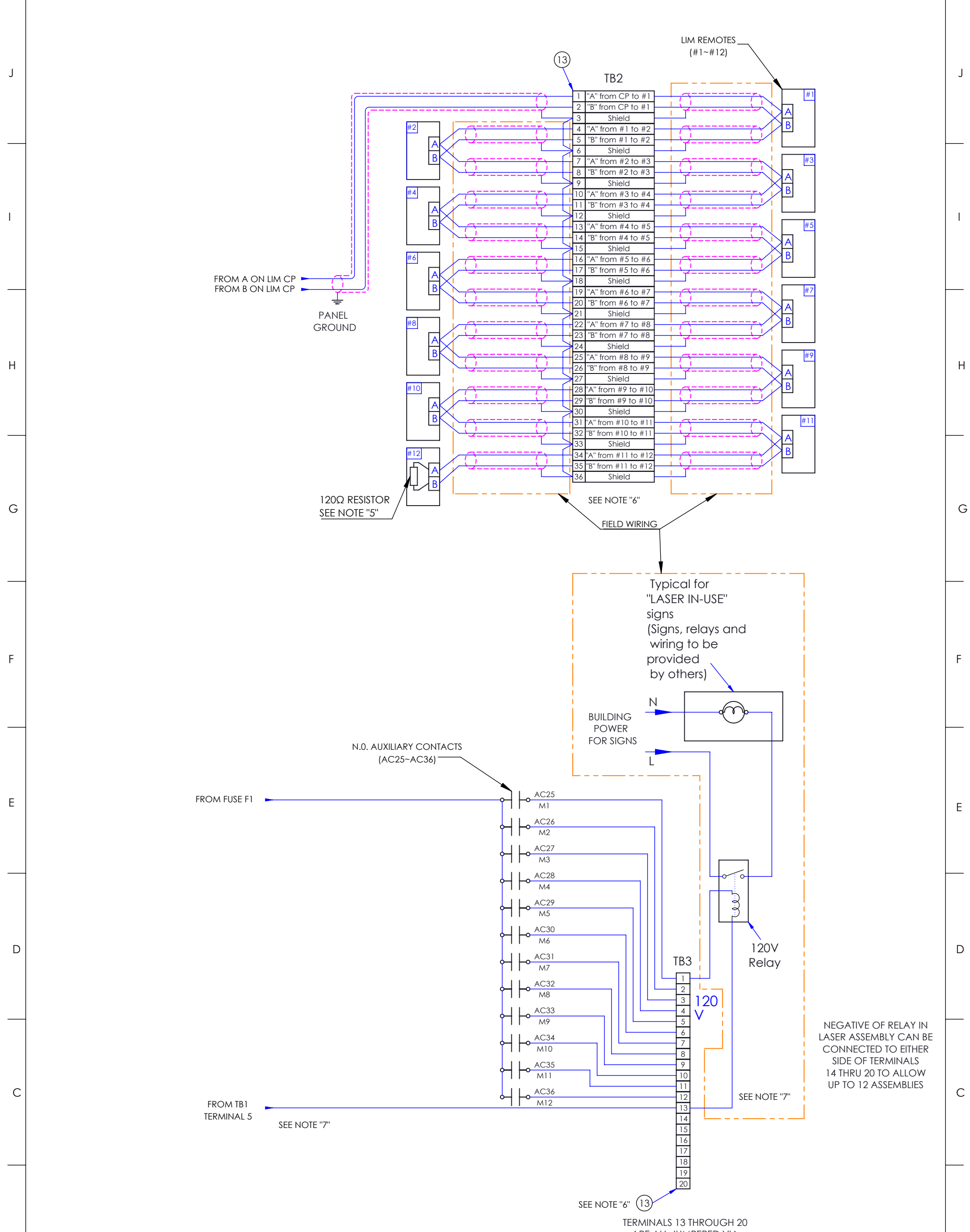
- NOTES:**
1. Type XHHW wire with a dielectric constant of less than 3.5 is recommended for all branch circuit field wiring.
 2. Polarity shall be observed in all instances.
 3. Size of all conductors shall be in accordance with all UL, NEC, NFPA and State Fire Marshall requirements.
 4. All remote indication circuitry shall be low voltage and will not contribute leakage to the system.
 5. Quantity of branch breakers (CB1 - CB12) shown for reference only. See elevation drawing for specific values provided.
 6. Connections to load monitor CT (STW3) are unpolarized.

TITLE: MIC WIRING DIAGRAM W/ STW3, CBM REMOTES, & LASER SIGN	DRAWN BY T. COYLE	11/13/19	 420 Eagleview Blvd. Exton, PA 19341-1116 1-800-356-4266	DWG. NO. 442 0200	REV 4
	APPROVED BY A. JOHNSON	11/13/19		SHEET 1 OF 3	



- NOTES:**
1. Type XHHW wire with a dielectric constant of less than 3.5 is recommended for all branch circuit field wiring.
 2. Polarity shall be observed in all instances.
 3. Size of all conductors shall be in accordance with all UL, NEC, NFPA and State Fire Marshall requirements.
 4. All remote indication circuitry shall be low voltage and will not contribute leakage to the system.
 5. When other panels/units with RS-485 communication are added onto panel, slide switch "R" on bottom of unit must be positioned in the "off" position. If additional RS-485 related equipment is not connected, slide "R" switch must be in the "on" position.

A	TITLE:	DRAWN BY	T. COYLE	11/13/19	 420 Eagleview Blvd. Exton, PA 19341-1116 1-800-356-4266	DWG. NO.	REV
	MIC WIRING DIAGRAM W/ STW3, CBM REMOTES, & LASER SIGN	APPROVED BY	A. JOHNSON	11/13/19		442 0200	4
						SHEET 2 OF 3	



- NOTES:**
1. Type XHHW wire with a dielectric constant of less than 3.5 is recommended for all branch circuit field wiring.
 2. Polarity shall be observed in all instances.
 3. Size of all conductors shall be in accordance with all UL, NEC, NFPA and State Fire Marshall requirements.
 4. All remote indication circuitry shall be low voltage and will not contribute leakage to the system.
 5. When other panels/units with RS-485 communication are added onto panel, 120Ω resistor is to be removed. If additional RS-485 related equipment is not connected, 120Ω resistor must be added as shown.
 6. Quantity of LIM remotes (#1 - #12), terminal blocks (TB2:1 - TB2:36) & (TB3:1 - TB3:24), and auxiliary contacts (AC25 - AC36) shown for reference only. See elevation drawing for specific values provided.
 7. When the full number of terminal blocks for TB3 are not present (i.e. when the number of contactors used is less than 12), all 0 volt references shall begin on the next fully unoccupied terminal block.

A	TITLE:	DRAWN BY	T. COYLE	11/13/19	 420 Eagleview Blvd. Exton, PA 19341-1116 1-800-356-4266	DWG. NO.	REV
	MIC WIRING DIAGRAM W/ STW3, CBM REMOTES, & LASER SIGN	APPROVED BY	A. JOHNSON	11/13/19		442 0200	4
						SHEET 3 OF 3	