


TOTAL PANEL WEIGHT  
 3 kVA: 500 LBS (227 Kg)  
 5 kVA: 530 LBS (240 Kg)

- GENERAL NOTES:**
1. GALVANIZED ROHS COMPLIANT STEEL BOX CONSTRUCTED IN ACCORDANCE WITH UL50
  2. FRONT TRIM, TYPE 304 SS WITH #4 POLISH FINISH.
  3. BOLT-ON CHASSIS FASTENS TO STUDS IN BOX.
- INSTALLATION NOTES:**
1. TYPE XHHW WIRE WITH A DIELECTRIC CONSTANT LESS THAN 3.5 IS RECOMMENDED FOR ALL BRANCH CIRCUIT FIELD WIRING.
  2. POLARITY SHALL BE OBSERVED IN ALL INSTANCES.
  3. SIZE OF ALL CONDUCTORS SHALL BE IN ACCORDANCE WITH THE UL, NEC, NFPA, AND STATE FIRE MARSHALL REQUIREMENTS.
  4. ALL REMOTE INDICATION CIRCUITRY SHALL BE LOW VOLTAGE AND WILL NOT CONTRIBUTE LEAKAGE TO THE SYSTEM.

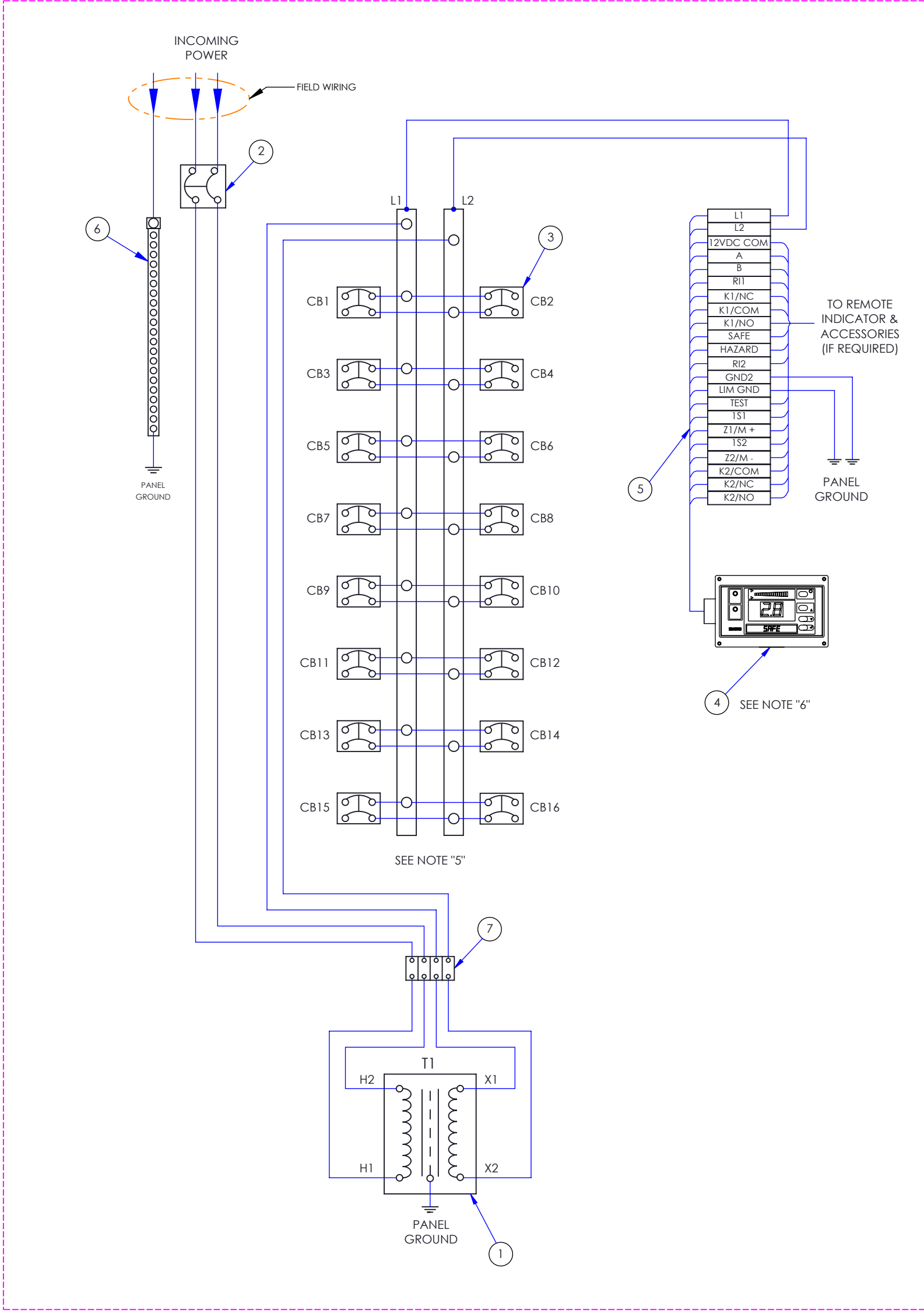
ITEM	DESCRIPTION			
1	<b>ISOLATION TRANSFORMER</b>			
	SYSTEM "A"		SYSTEM "B"	
	KVA	VOLTAGE		FREQ
		PRIMARY	SECONDARY	
	3	120	120	60
	5	208	208	
		277	220	
		480*		
	3	120	120	60
	5	208	208	
		277	220	
		480*		
<b>INTERIOR ASSEMBLY</b>				
		SYSTEM "A"		SYSTEM "B"
2	<b>MAIN BREAKER</b>			
3	<b>BRANCH BREAKERS*</b>	QTY		QTY
		15 A		15 A
		20 A		20 A
		30 A		30 A
4	<b>COMMUNICATION GATEWAY</b>	<input type="checkbox"/> YES <input type="checkbox"/> NO	<input type="checkbox"/> YES <input type="checkbox"/> NO	
5	<b>FAULT LOCATION SYSTEM</b>	<input type="checkbox"/> YES <input type="checkbox"/> NO	<input type="checkbox"/> YES <input type="checkbox"/> NO	
6	<b>CURRENT MONITORING SYSTEM</b>	<input type="checkbox"/> YES <input type="checkbox"/> NO	<input type="checkbox"/> YES <input type="checkbox"/> NO	
7	<b>TRANSFORMER LOAD MONITOR</b>	<input type="checkbox"/> YES <input type="checkbox"/> NO	<input type="checkbox"/> YES <input type="checkbox"/> NO	
8	<b>GROUND BUS</b>			
9	<b>LINE ISOLATION MONITOR (LIM2010)</b>			
10	<b>CP-LIM2010 CONNECTOR PLATE</b>			
11	<b>RECEPTACLE PLATE CONFIGURATION: N/A</b>			
12	<b>FRONT TRIM: T8238R</b>			
13	<b>BACKBOX: B803606F</b>			

\* 16 BREAKERS MAX PER SYSTEM 2 POLE, 10 kAIC

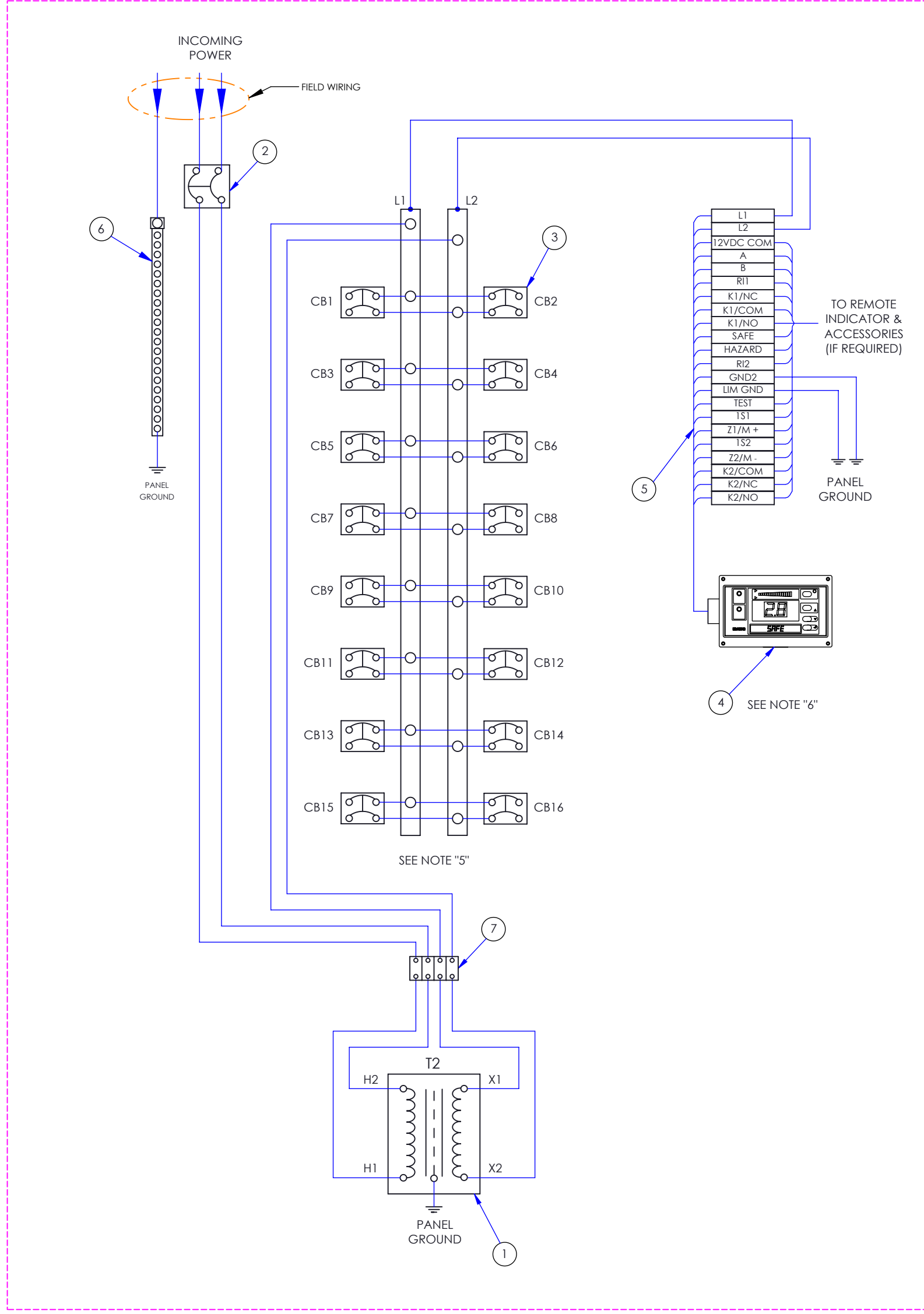
PROJECT:		TITLE:	
SALES ORDER		DWG. NO.	
QTY.			
MODEL			
ARTICLE #		REV	
DRAWN BY		 420 Eagleview Blvd. Exton, PA 19341-1116 1-800-356-4266	
APPROVED BY			
		SHEET 1 OF 1	

ITEM	DESCRIPTION
1	ISOLATION TRANSFORMER
2	PRIMARY MAIN BREAKER
3	BRANCH CIRCUIT BREAKERS (16 BREAKERS MAX, 2 POLE, 10 kAIC)
4	LINE ISOLATION MONITOR (LIM2010)
5	CP-LIM2010 CONNECTOR PLATE
6	GROUND BUS
7	TRANSFORMER TERMINAL BLOCK (TTB)

System "A"



System "B"



- NOTES:
1. Type XHHW wire with a dielectric constant of less than 3.5 is recommended for all branch circuit field wiring.
  2. Polarity shall be observed in all instances.
  3. Size of all conductors shall be in accordance with all UL, NEC, NFPA and State Fire Marshall requirements.
  4. All remote indication circuitry shall be low voltage and will not contribute leakage to the system.
  5. Quantity of branch breakers (CB1 - CB16) shown for reference only. See elevation drawing for specific values provided.
  6. When other panels/units with RS-485 communication are added onto panel, slide switch "R" on bottom of unit must be positioned in the "off" position. If additional RS-485 related equipment is not connected, slide "R" switch must be in the "on" position.

TITLE: MIX WIRING DIAGRAM STANDARD	DRAWN BY	T. COYLE	11/12/19	 420 Eagleview Blvd. Exton, PA 19341-1116 1-800-356-4266	DWG. NO.	442 0069	REV	2
	APPROVED BY	A. JOHNSON	11/12/19		SHEET 1 OF 1			